

Standard Equipment

- Safe, comfortable operator compartment with unique “u” shape platform link: console, platform and scoop seat
- Power assisted steering with variable steering resistance
- positive steering (drive wheel) feedback
- Safe operator compartment with cushioned full-suspension
- Automatic and adjustable speed reduction when cornering
- 3 kW AC motor (maintenance free)
- Automatic electric braking
- Electromagnetic emergency brake
- Key switch or PIN code log-in
- Dedicated work station (with storage compartments)
- Fixed front clipboard
- Adjustable seat
- Adjustable console and twin grip steering control
- CAN bus technology
- Manually operated hook with pull cable (300mm)
- Side battery change (3PzS)
- Horn
- Protection to -10°C
- Multifunction backlight instrument display: Safety alarm, maintenance check indicator, battery charge level, hourmeter
- Cushion rubber drive and load wheels

Options Equipment

- Single position hook (300mm) or 3 positions tow hook 290/345/400mm
- Front and rear working light (LED) Flashing beacon
- Polyurethane drive wheel & cushion rubber load wheels
- Wet grip drive wheel & cushion load wheels
- Fixed battery stand for side battery change
- (1 or 2 batteries)
- Vertical battery change (3PzS)

Other Options Available on Request



Electric Tow Tractor 3000kg

1189

Linde Material Handling

Safety

The design of the tractor ensures that the operator remains well within the truck contours while driving. The ergonomic twin grip steering control incorporates a wrap-around hand guard and the front steel bumper ensure excellent safety for both operator and machine.

Performance

The P30C are compact tow tractors particularly suited to towing applications in narrow aisle. Due to their compact nature the operator has direct access to the towing attachment located at the rear.

Comfort

In addition to an adjustable backrest and console / steering control, these tow tractor provides a unique suspended and damped “u” shape platform. This links the 3 main point of contact between operator and machine: scoop seat, platform and console and provides a superior driving experience over long travel distances or uneven floors.

Reliability

The robustness of the steering control, the strong towing mounting and the high quality steel chassis ensure reliable operation over long periods of time. Extensive testing in the heaviest applications confirm the tractors’ reliability.

Service

Efficient in operation and highly cost effective. CAN-bus connections enable all truck data to be accessed for service inspection. Service interval of 1,000 operating hours ensure high uptime. Easy accessibility to all components and the use of maintenance free AC motors contribute to fast service times.

Ultimate driving feeling

- The unique “U” shape operator’s compartment links: console-platform-scoop seat
- It is fully suspended leading to an exceptional driving feel
- Adjustable seat, console and steering control ergonomic, robust chassis with enclosed and protected load wheels All main control functions integrated in the one handle for operation by either hand or both
- Wide platform access
- Low stepping height



CAN-Bus connectivity

- Intelligent electronic management of all components for rapid and easy diagnosis
- All performance parameters can be accurately adjusted by the service technician to suit each individual application



Power steering

- Proportional, self centring, power-assisted steering for effortless, precise operation
- Adjustable steering resistance and positive steering feedback ensures the truck is always on track
- Automatic speed reduction when cornering

Console and Linde twin grip steering control

- Ergonomically designed console incorporates steering control, clipboard, emergency isolator CAN-bus plug and Linde Digital Information Display (hourmeter, battery Discharge Indicator, warning and information display)
- Adjustable in height, the console provide controls and instrumentation all within easy reach
- All main control functions integrated into one handle for operation by both or either hand
- Optimum protection for both hands



Storage/Equipment

- Wide storage compartment to store gloves, document
- Storage compartment on the console to store pencils, adhesive tape
- Wide compartment under the console for wrapping paper ...

Subject to modification in the interests of progress. Illustration and technical details not binding for actual constructions and may show the optional equipments.

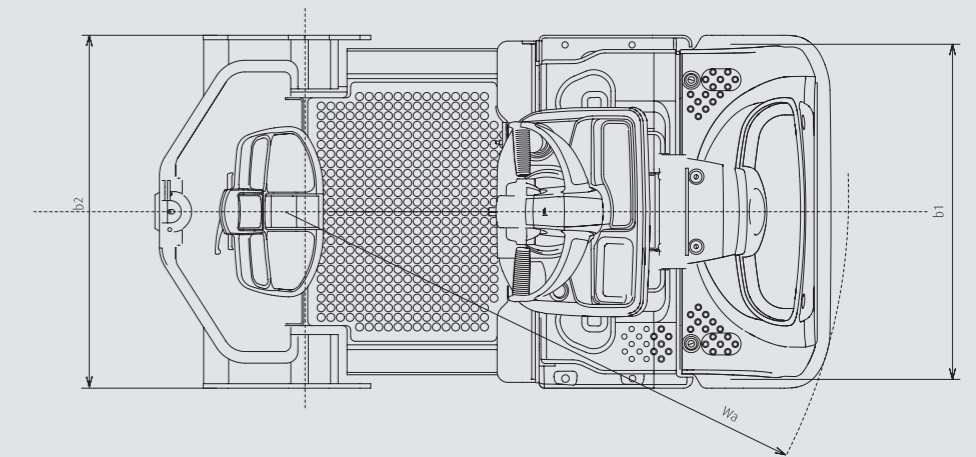
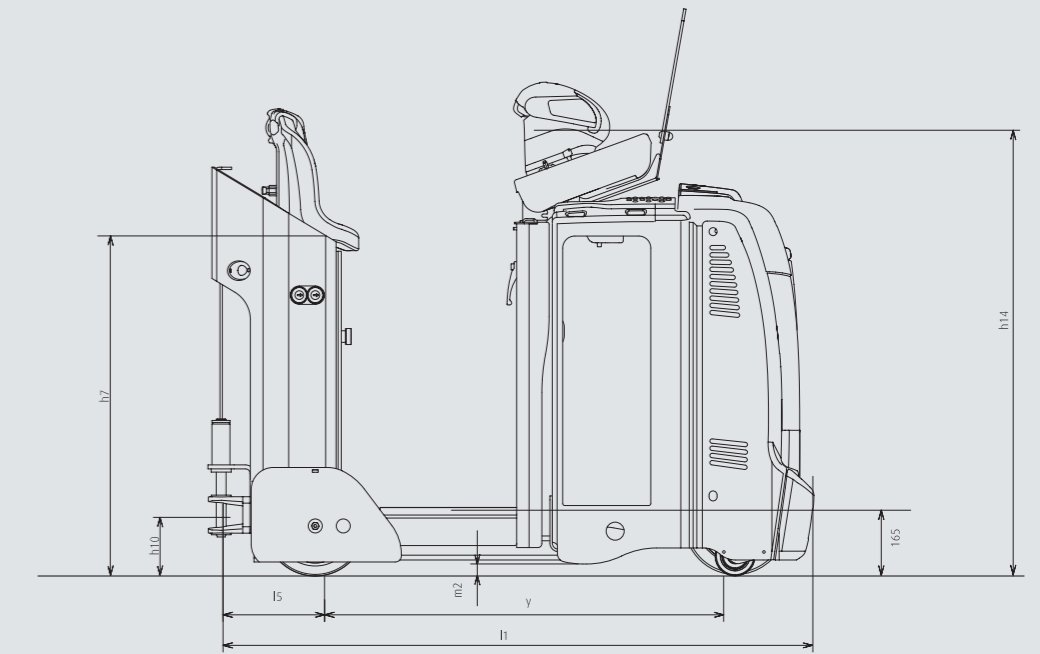
Linde Material Handling Pty Ltd
 Head Office Address: 5 Distillers Place, Huntingwood NSW 2148
 Phone: 1300 135 463 or (02) 9831 9500
 Email: contact@lindemh.com.au | Website: www.lindemh.com.au

Linde Material Handling

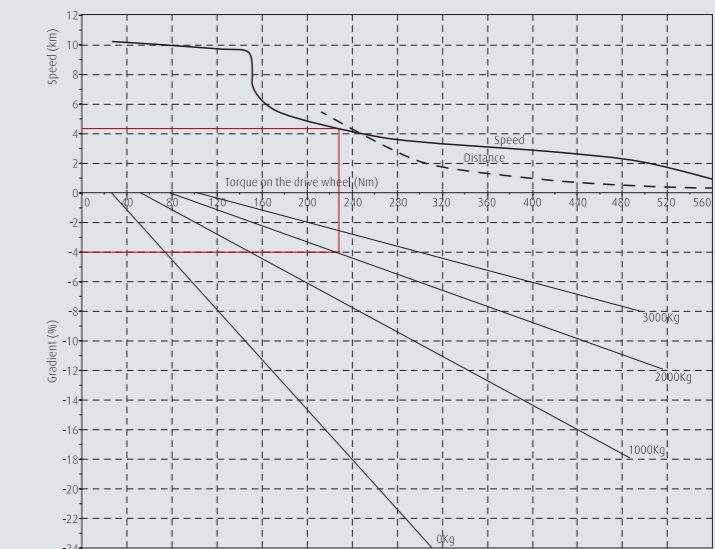
Technical Data

Characteristics	1.1	Manufacturer			Linde	
	1.2	Model designation			P30C	
	1.3	Power unit			Battery	
	1.4	Operation			Stand-on	
	1.5	Load capacity		Q(kg)	3000	
	1.7	Rated drawbar pull		F(n)	1800	
	1.9	Wheelbase	(±5mm)	y(mm)	1049.5 ²⁾	
	Weights	2.1	Service weight	(±10%)	kg	940 ¹⁾
		2.3	Axle load without load front/rear	(±10%)	kg	584/436 ¹⁾
Wheels	3.1	Tyre: Rubber(R), Polyurethane(P)			R+R	
	3.2	Tyre size, front		mm	254 x 102	
	3.3	Tyre size, rear		mm	2 x 250 x 80	
	3.4	Auxiliary wheels size		mm	2 x 100 x 40	
	3.5	Wheels, number front/rear (x = driven)			1X+2/2	
	3.6	Track width, front		b ₁₀ (mm)	544	
Dimensions	3.7	Track width, rear		b ₁₁ (mm)	675	
	4.8	Height of backrest, min/max		h ₇ (mm)	710/910 ⁴⁾	
	4.9	Tiller height, travel position		h ₁₄ (mm)	1020/1120	
	4.12	Tow coupling height: Single position, 3 positions		h ₁₀ (mm)	300, 290/345/400	
	4.19	Overall length	(±5mm)	l ₁ (mm)	1500 ³⁾	
	4.21	Overall width	(±5mm)	b ₁ /b ₂ (mm)	790/ -	
	4.32	Ground clearance, centre of wheelbase min./max.	(min)	m ₂ (mm)	58	
4.35	Turning radius (fork raised)	(min)	Wa(mm)	1230		
Performances	5.1	Travel speed, with/without load	(±5%)	km/h	10/10	
	5.5	Drawbar pull with/without load (60 minutes rating)		n	1800	
	5.6	Maximum drawbar pull with/without load (5 minutes rating)		n	4000	
	5.7	Climbing ability with/without load (30 minutes rating)		%	5/24	
	5.8	Maximum climbing ability with/without load (5 minutes rating)		%	8/24	
5.10	Service brake				Electro-magnetic	
Drive	6.1	Drive motor output (60 min.rating)		kW	3	
	6.3	Battery according to IEC			Special case ⁵⁾	
	6.4	Battery voltage/rated capacity (5 h)		V/Ah	24/330	
	6.5	Battery weight (±10%)		kg	295 ¹⁾	
Others	8.1	Type of Drive control			LAC	
	8.4	Sound level at driver's ear		dB(A)	<70	

- 1) with battery item 6.5
- 2) With battery compartment 3 PzS side removal (+100 mm for 3 PzS vertical removal)
- 3) +10mm with hook
- 4) 100mm clearance (through a height adjustment handle) +100mm (through a fixed adjustment behind the seat)
- 5) Special case for side battery change -DIN 43535 B for all vertical battery change



Example of Application



The example shown illustrates	
A tractor towing	2t load
Operating on a ramp of	4%
Maximum travelling speed reachable	4,3km/h